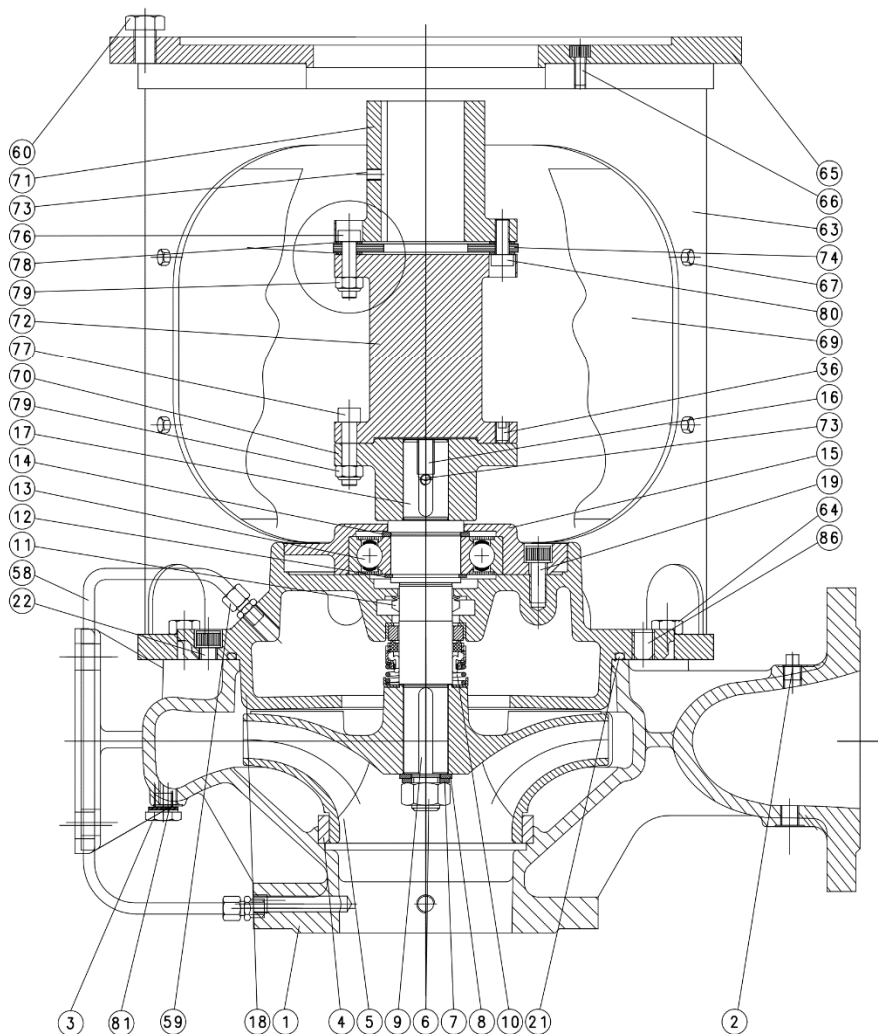
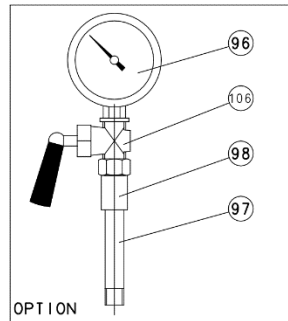


## 15. ASSEMBLY DRAWING Ø215/265

## 16. SPARE PARTS LIST Ø215/265

See Ø330/415 pump on the next pages

- 1 Pump casing
- 2 Pipe plug

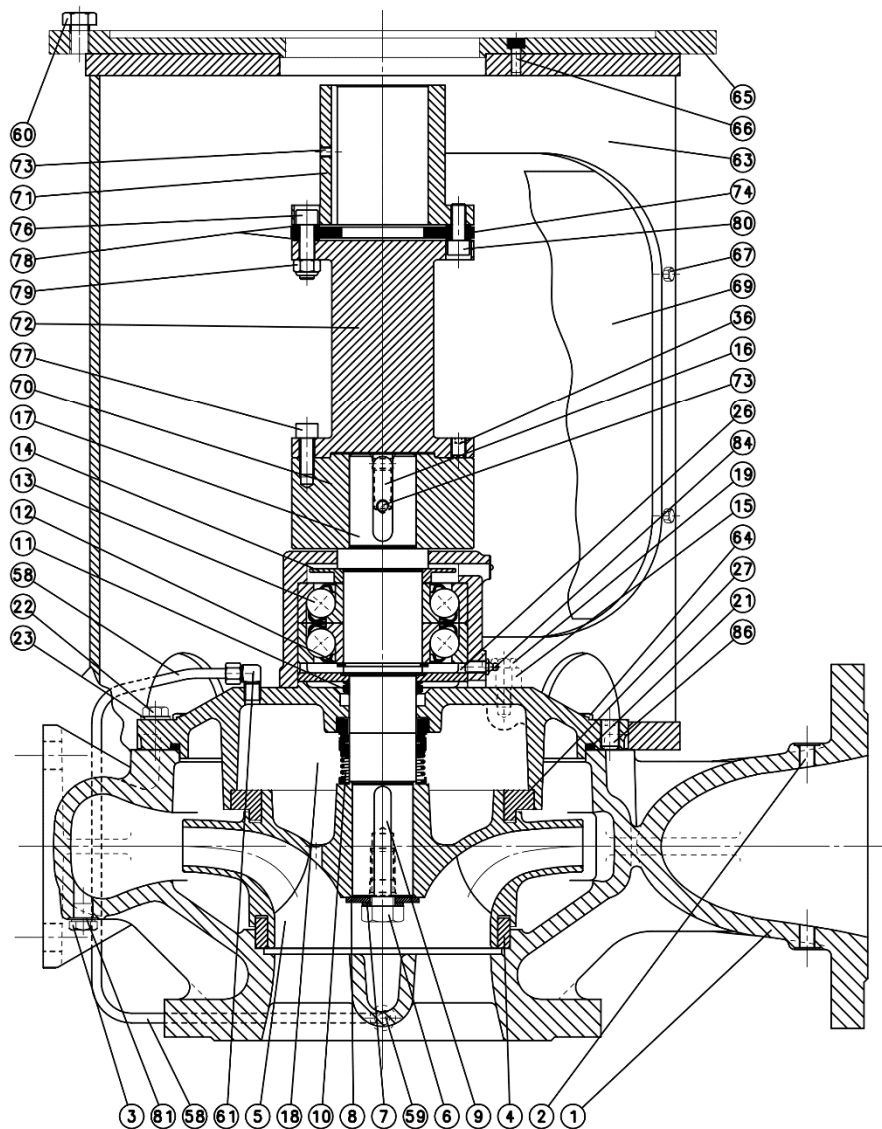
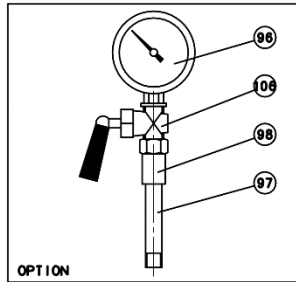


- 3 Pipe plug
  - 4 Sealing ring
  - 5 Impeller
  - 6 Nut
  - 7 Spring collar
  - 8 Washer
  - 9 Sunk key
  - 10 Shaft seal
  - 11 Water deflector
  - 12 Ring lock
  - 13 Ball bearing
  - 14 Support disc
  - 15 Bearing cover
  - 16 Sunk key
  - 17 Shaft
  - 18 Shaft seal cover
  - 19 Allen screw
  - 21 O-ring
  - 22 Allen screw
  - 36 Pointed screw
  - 58 Copper pipe (only on NSLV)
  - 59 Hexagon nipple (Plug on NSLV)
  - 60 Set screw
  - 63 Motor bracket
  - 64 Set screw
  - 65 Intermediate flange \*)
  - 66 Allen screw \*)
  - 67 Set screw
  - 69 Guard
  - 70 Coupling part pump
  - 71 Coupling part motor
  - 72 Spacer
  - 73 Pointed screw
  - 74 Coupling discs
  - 76 Allen screw
  - 77 Allen screw
  - 78 Washer
  - 79 Pinch nut
  - 80 Allen screw
  - 81 Sealing washer
  - 86 Pointed screw
  - 96 Pressure gauge
  - 97 Nipple
  - 98 Sleeve
  - 106 Pressure gauge cock
- \*) Only if motor is bigger than motor bracket

## 19. ASSEMBLY DRAWING $\varnothing 330/415$ WITH HEAVY BEARING HOUSING

## 20. SPARE PARTS LIST $\varnothing 330/415$ WITH HEAVY BEARING HOUSING

- 1 Pump casing
- 2 Pipe plug
- 3 Pipe plug
- 4 Sealing ring
- 5 Impeller



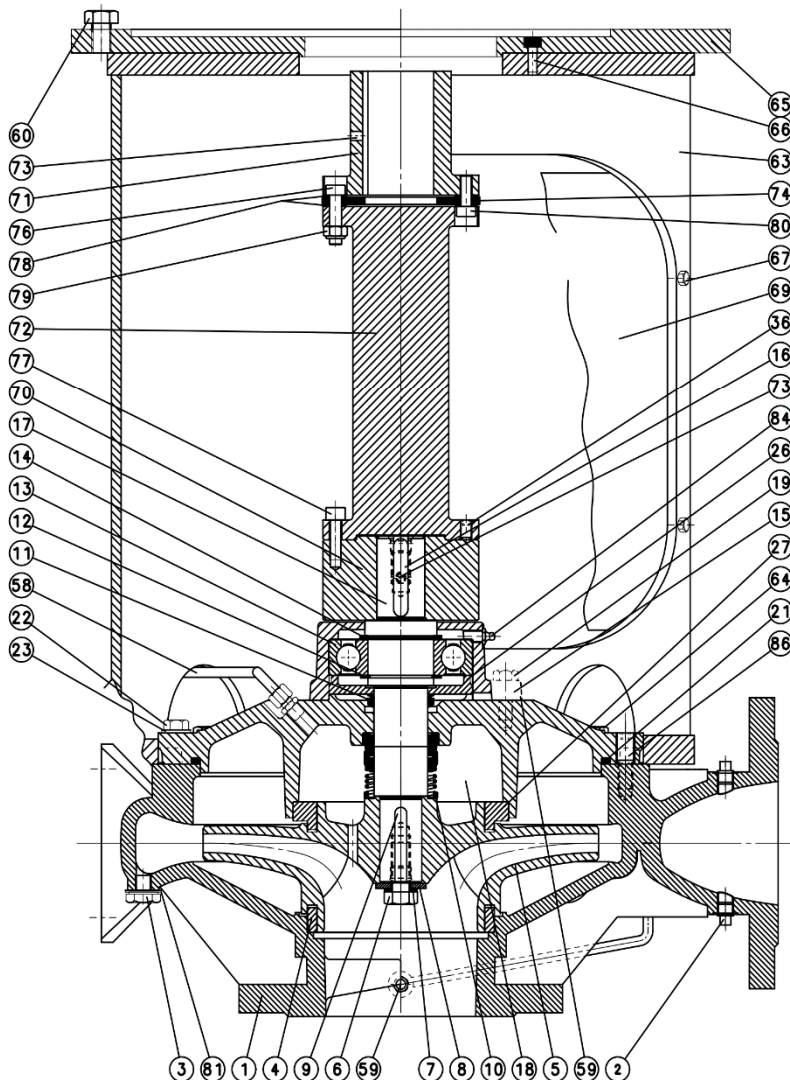
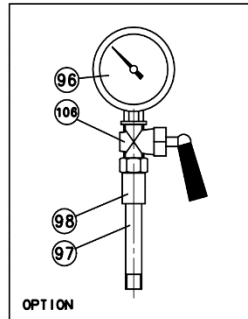
- 6 Nut
- 7 Spring collar
- 8 Washer
- 9 Sunk key
- 10 Shaft seal
- 11 Water deflector
- 12 Ring lock
- 13 Ball bearing
- 14 Grease valve ring
- 15 Bearing cover
- 16 Sunk key
- 17 Shaft
- 18 Shaft seal cover
- 19 Allen screw
- 21 O-ring
- 22 Allen screw
- 27 Sealing ring 2
- 36 Pointed screw
- 58 Copper pipe (only NSLV)
- 59 Hex. nipple (Plug on NSLV)
- 60 Set screw
- 61 Hexagon nipple
- 63 Motor bracket
- 64 Set screw
- 65 Intermediate flange\*)
- 66 Allen screw\*)
- 67 Set screw
- 69 Guard
- 70 Coupling part pump
- 71 Coupling part motor
- 72 Spacer
- 73 Pointed screw
- 74 Coupling discs
- 76 Allen screw
- 77 Allen screw
- 78 Washer
- 79 Pinch nut
- 80 Allen screw
- 81 Sealing washer
- 86 Pointed screw
- 96 Pressure gauge
- 97 Nipple
- 98 Sleeve
- 106 Pressure gauge cock

\*) Only if motor is bigger than motor bracket

## 17. ASSEMBLY DRAWING $\varnothing 330/415$ WITH LIGHT BEARING HOUSING (80-330, 100-330, 125-330, 100-415 and 125-415)

## 18. SPARE PARTS LIST $\varnothing 330/415$ with light bearing housing

- 1 Pump casing
- 2 Pipe plug



- 3 Pipe plug
- 4 Sealing ring
- 5 Impeller
- 6 Nut
- 7 Spring collar
- 8 Washer
- 9 Sunk key
- 10 Shaft seal
- 11 Water deflector
- 12 Ring lock
- 13 Ball bearing
- 14 Support disc
- 15 Bearing cover
- 16 Sunk key
- 17 Shaft
- 18 Shaft seal cover
- 19 Allen screw
- 21 O-ring
- 22 Allen screw
- 27 Sealing ring 2
- 36 Pointed screw
- 58 Copper pipe (only NSLV)
- 59 Hexagon nipple (Plug on NSLV)
- 60 Set screw
- 63 Motor bracket
- 64 Set screw
- 65 Intermediate flange\*)
- 66 Allen screw\*)
- 73 Set screw
- 67 Set screw
- 69 Guard
- 70 Coupling part pump
- 71 Coupling part motor
- 72 Spacer
- 73 Pointed screw
- 74 Coupling discs
- 76 Allen screw
- 77 Allen screw
- 78 Washer
- 79 Pinch nut
- 80 Allen screw
- 81 Sealing washer
- 86 Pointed screw
- 96 Pressure gauge
- 97 Nipple
- 98 Sleeve
- 106 Pressure gauge cock

\*) Only if motor is bigger than motor bracket