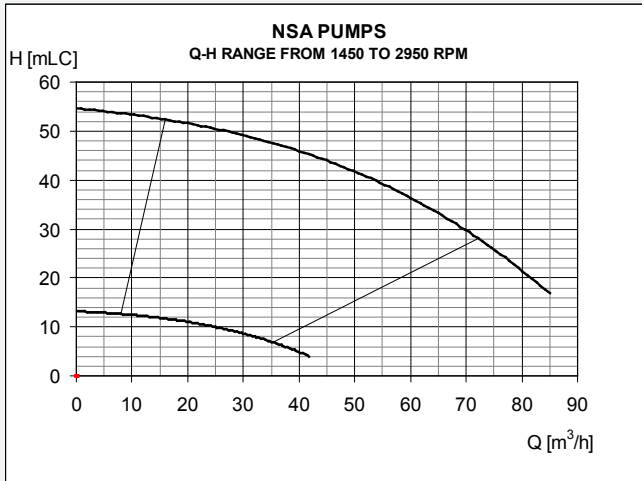


NSA

Close coupled self-priming centrifugal pumps



Design

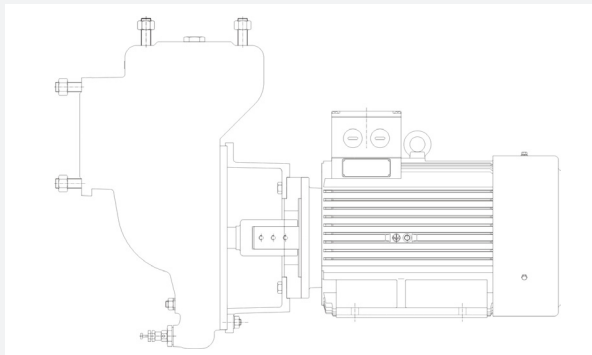
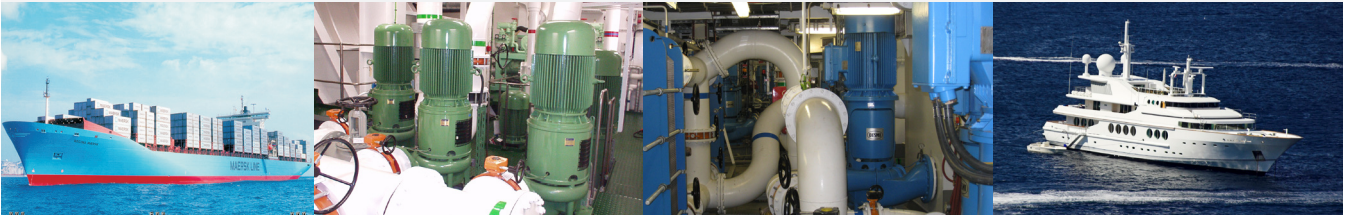
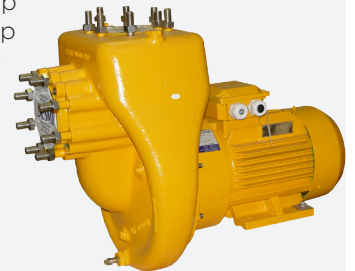
Open impeller, exchangeable wear plate, standard stainless steel shaft and nonleaking mechanical shaft seal.

Applications, for example

- Bilge pump
- Ballast Pump
- General service pump
- Emergency fire pump
- Cooling water pump

Materials

Cast iron and bronze materials are available.

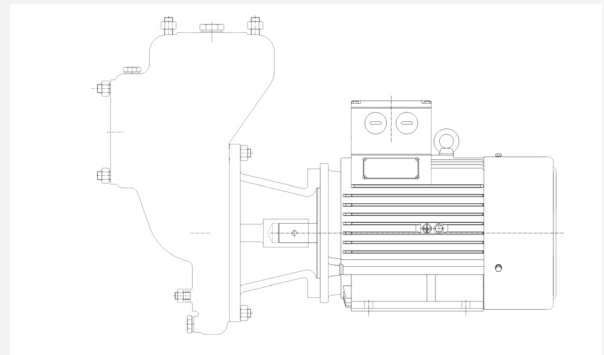


Technical specifications

Type:	NSA 50-200
Pipe connections:	2" suction/discharge
Capacity:	10-50 m³/h
Total head:	10-50 mWC
Suction head:	8 mWC

Range

NSA 50-200 in close-coupled design with electric motor 4-5,5-7,5 kW at 2950 RPM.



Technical specifications

Type:	NSA 80-250
Pipe connections:	3" suction/discharge
Capacity:	10-85 m³/h
Total head:	18-55 mWC
Suction head:	7 mWC

Range

NSA 80-250 in close-coupled design with electric motor 4kW at 1450 RPM, and 11 kW at 2950 RPM.