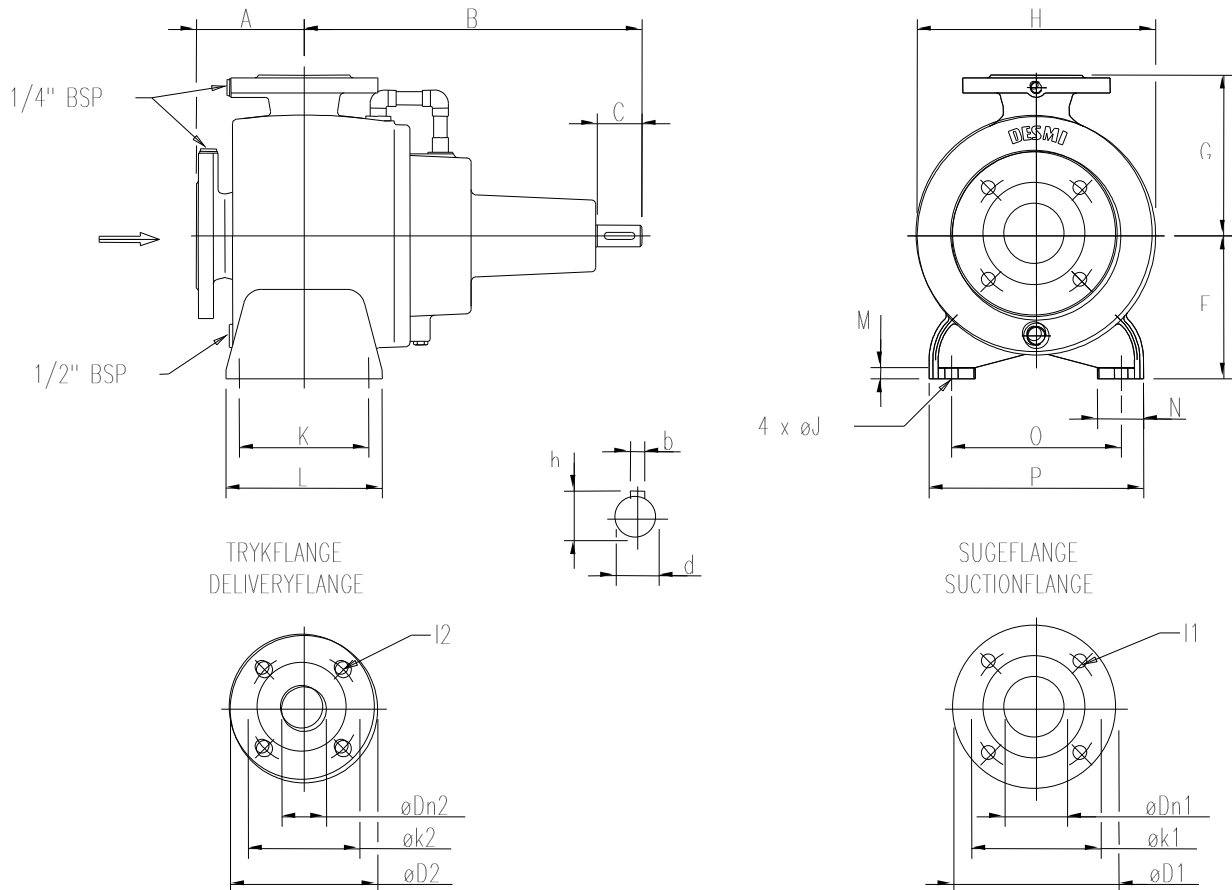


## 17. DIMENSIONAL SKETCH



Type	A	B	C	H	F	G	d	h	b	J	K	L	M	N
S70-50-175N/A-D11	125	38 0	5 0	27 0	16 0	18 0	24j 6	2 7	8	1 5	14 5	17 5	1 0	5 5
S80-70-175N/A-D11	150, 5	38 8	5 0	29 5	18 0	20 0	24j 6	2 7	8	1 5	19 0	22 0	1 3	6 9

Type	O	P	D1	k1	Dn <sub>1</sub>	l1	D2	k2	Dn <sub>2</sub>	l2
S70-50-175N/A-D11	190	25 0	18 5	14 5	70	4x1 8	16 5	12 5	50	4x1 8
S80-70-175N/A-D11	200	27 3	20 0	16 0	80	8x1 8	18 5	14 5	70	4x1 8