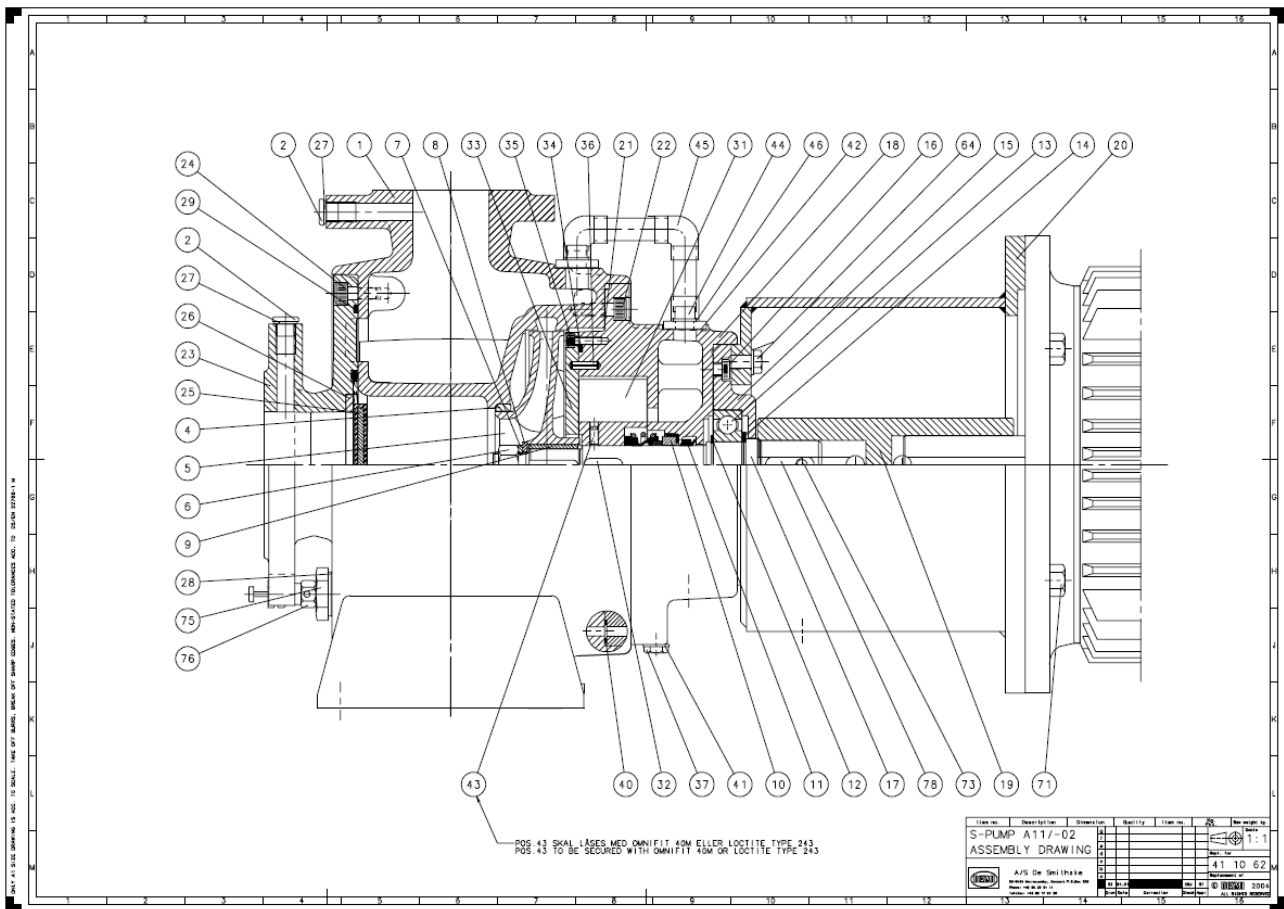


15. ASSEMBLY DRAWING



16. SPARE PARTS LIST

1 Pump casing	18 Rear cover	35 Allen screw
2 Pipe plug	19 Coupling	36 Tightening pin
4 Sealing ring	20 Motor bracket	37 Pipe plug
5 Impeller	21 Gasket	40 O-ring
6 Nut	22 Allen screw	41 Gasket
7 Spring collar	23 Suction piece	42 Gasket
8 Washer	24 Allen screw	43 Pointed screw
9 Sunk key	25 Non-return flap	44 Allen screw
10 Mech. shaft seal	26 Contact ring	45 U-pipe
11 Water deflector	27 Gasket	46 Washer
12 Snap ring	28 Gasket	64 Set screw
13 Ball bearing	29 O-ring	71 Set screw
14 Support disc	31 Star wheel	73 Point screw
15 Bearing cover	32 Sunk key	75 Drain plug
16 Allen screw	33 Priming plate	76 Safety valve
17 Shaft	34 O-ring	78 Key